

EQUIPMENT



WATER SAND FILTER

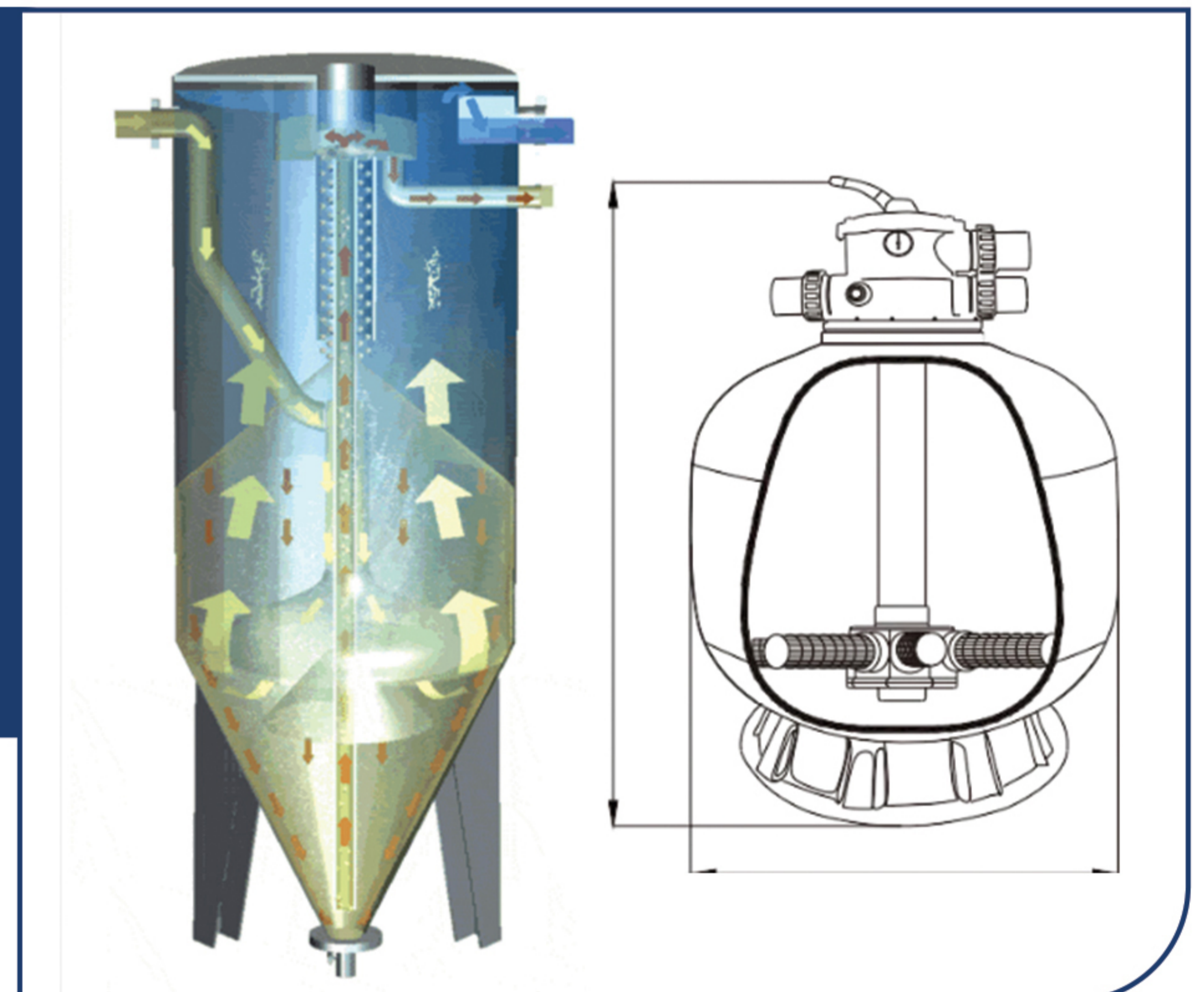
WATER SAND FILTER

- **Efficient Solid Removal:** Effectively removes suspended solids, fine particles, and impurities, delivering consistently clean and clarified water.
- **Enhanced Filtration Performance:** Optimised internal water distribution improves filtration efficiency and ensures uniform flow through the media bed.
- **Durable & Corrosion-Resistant Construction:** Manufactured from fibreglass and resin materials, providing excellent resistance to chemicals and harsh environments.
- **Reliable Backwash Operation:** Designed for effective backwashing, maintaining filtration performance and reducing maintenance frequency.
- **Simple Operation & Maintenance:** User-friendly multiport valve and integrated design allow easy operation, cleaning, and media replacement.
- **Compact & Versatile Design:** Compact structure allows easy installation and integration into a wide range of water treatment systems.



Working Principle

The sand filter operates using a multi-layer filtration process. Raw water enters the filter tank through the inlet valve and flows through layers of sand and silica media arranged from coarse to fine. As water passes through the filter bed, suspended solids and particles (typically larger than 100 microns) are trapped within the media. Clean, filtered water is collected through the internal nozzles and discharged via the outlet. To maintain performance, the system is periodically backwashed, reversing the flow to remove accumulated solids and restore filtration efficiency.



Features

Standard Features

- Fibreglass-reinforced construction with high corrosion resistance
- UV-resistant outer layer for extended durability
- Multi-layer sand filtration media for effective particle removal
- Advanced water distributor based on Karman vortex street principle
- Six-way multiport valve for easy operation and control
- Integrated pressure gauge for monitoring system performance
- Bottom drain valve for convenient sand replacement
- Efficient backwash system for easy maintenance

Options & Accessories


- Different tank sizes and capacities to suit project requirements
- Various inlet/outlet connection sizes
- Customised configurations for specific applications

Specifications and Parameters

Model	Size (D)	Inlet/Outlet (inch)	Flow (m ³ /h)	Filtration Area (m ²)	Sand Weight (kg)	Height (mm)	Package Size (mm)	Weight (kg)
HLSCD400	16" / φ400	1.5"	6.3	0.13	35	650	425×425×500	9.5
HLSCD450	18" / φ450	1.5"	7	0.14	50	730	440×440×540	11
HLSCD500	20" / φ500	1.5"	11	0.2	80	780	530×530×600	12.5
HLSCD600	25" / φ625	1.5"	16	0.3	125	880	630×630×670	19
HLSCD700	28" / φ700	1.5"	18.5	0.37	190	960	710×710×770	22.5
HLSCD800	32" / φ800	2"	25	0.5	350	1160	830×830×930	35
HLSCD900	36" / φ900	2"	30	0.64	400	1230	900×900×990	38.5
HLSCD1000	40" / φ1000	2"	35	0.79	620	1280	1040×1040×1170	60
HLSCD1100	44" / φ1100	2"	40	0.98	800	1360	1135×1135×1280	69.5
HLSCD1200	48" / φ1200	2"	45	1.13	875	1480	1230×1230×1350	82.5

WASTEWATER, CLEAN-GAS & ENVIRONMENTAL SOLUTIONS



 +61 (2) 40923110

 5 Moorak St
Taringa QLD 4068
Australia

 AQUIPTEC.COM.AU

 INFO@AQUIPTEC.COM.AU